

Water Control Gates

Gate Design Requirements

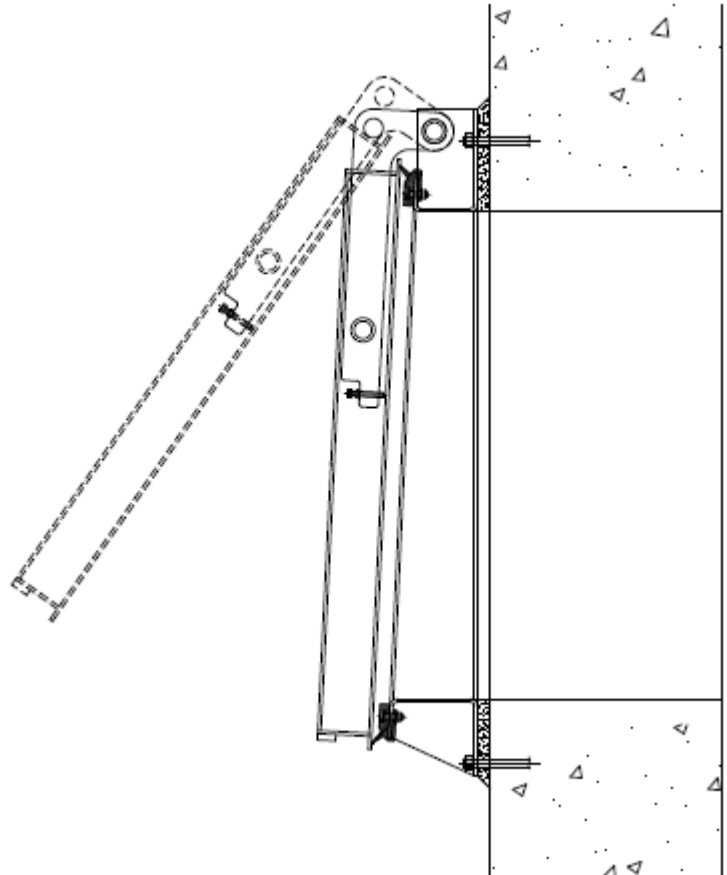
Location: _____

Project Name: _____

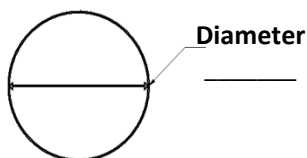
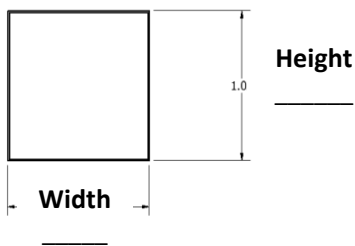
Quantity of Gates _____

Frame Material: 304 L SS
 316 L SS
 Aluminum

Flap Material:
 304L
 316L
 Aluminum
 Rubber



Gate Opening (WxH)



Round opening
RCP
DIP
PVC
Corrugated Pipe

Gate Mounting

Gate Mounted to:

Concrete wall
Wall thimble
Wall pipe
Flange